



McHenry County
Purchasing Department
2200 N Seminary Avenue
Woodstock, IL 60098

August 12, 2022

Addendum 1

Bid 22-5378 Division of Transportation 2023 Sign Materials

Electronic Bids due *August 18, 2022 no later than 9:00 a.m. (CST)*

Web-Ex bid opening at 1:00 p.m. (CST) No onsite bid opening.

Question 1:

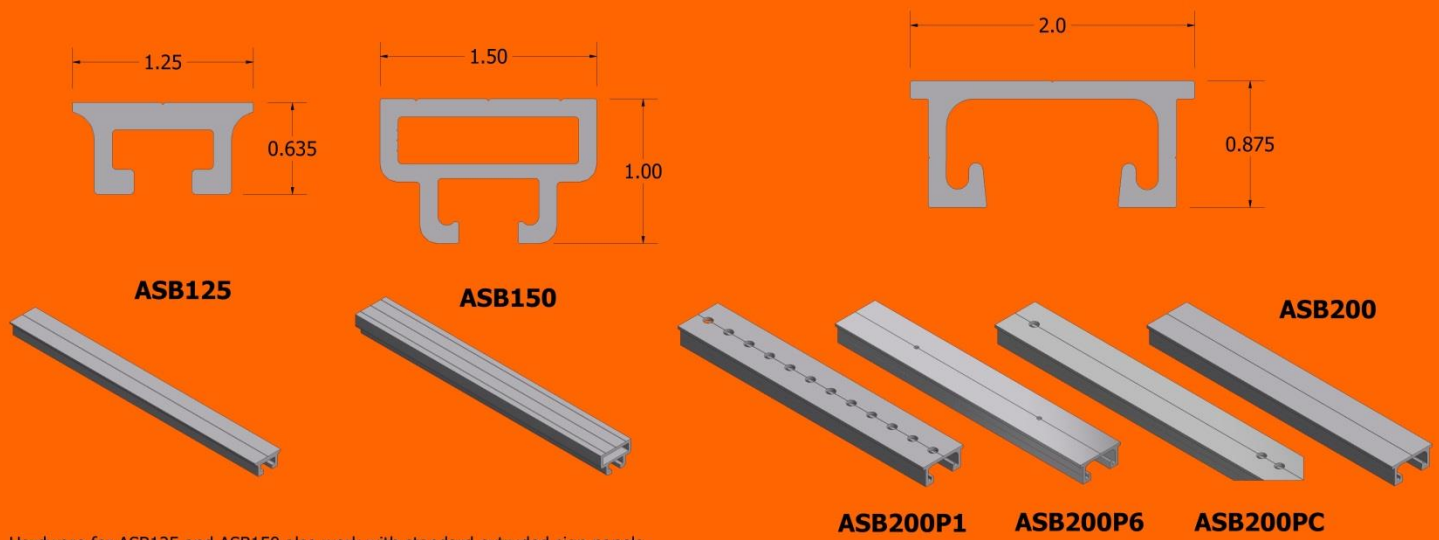
Group 2 – Can you send me pictures of the 1” & 2” aluminum sign brace?

Response:

Attached: Page 2 shows the sign brackets (adjust a sign), for the 1.25” and 2” brackets

Adjust-A-Sign

Adjustable Sign Mounting Brace and Bracket System



Hardware for ASB125 and ASB150 also work with standard extruded sign panels.

FIG. 1

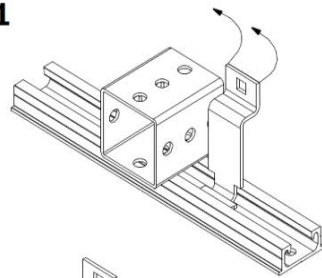
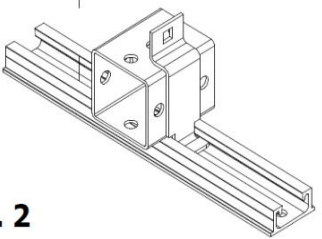
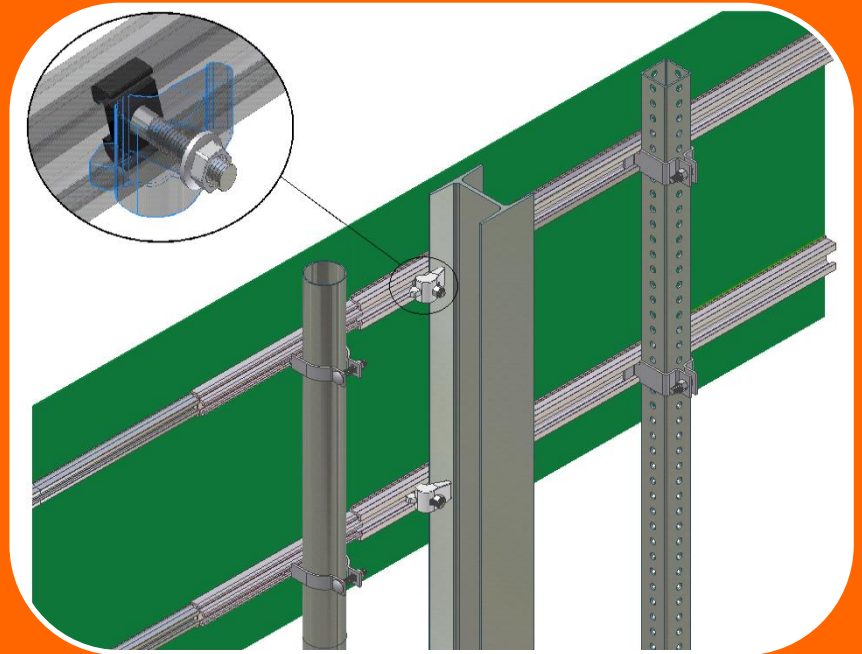


FIG. 2



Installation is simple using Adjust-A-Sign 1/4 turn brackets



Product will mount on Square, Round, or Beam Posts. Brackets are available for Flat Panel or Extruded Panel Signs.

Adjust-A-Sign is designed to withstand wind loads per the AASHTO Standard Specifications for Highway Signs, Luminaires, and Traffic Signals.